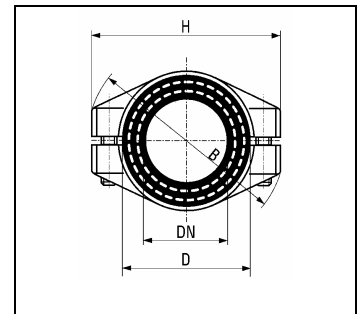
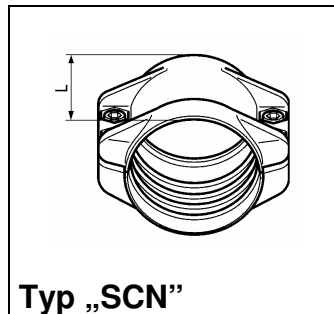


Schalen verschraubt

Messing



- Norm : DIN EN 14420 vormals DIN 2817
- Material (Standard) : Halbschalen : Messing
Schrauben : Stahl verzinkt (Edelstahl auf Anfrage)
- Ersatzteile Schrauben : Seite 5.2.09

Bestell-Nr.	Typ/DN	NW Schlauch - mm -	D min-max - mm -	Abmessung			Schrauben Muttern	Gewicht ca - kg -	Preis - €/Stück -
				H -mm-	B -mm-	L -mm-			
b1scn013x05m ¹	SCN13	13x5	22-24	56	59	50	4xM6x20	0,27	
b1scn019x06m ¹	SCN19	19x6	30-33	65	68	50	4xM6x20	0,31	
b1scn025x06m ¹	SCN25	25x6	35-39	73	75	50	4xM6x20	0,33	
b1scn025x08m		25x8	40-43	76	79	50		0,38	
b1scn032x06m ¹	SCN32	32x6	43-46	75	77	50	4xM6x20	0,41	
b1scn032x08m		32x8	47-50	83	85	50		0,41	
b1scn032x10m		32x10	50-53	84	86	50		0,49	
b1scn038x65m ¹	SCN38	38x6,5	50-52	83	85	50	4xM6x20	0,43	
b1scn038x08m		38x8	53-56	85	87	50		0,50	
b1scn038x10m		38x10	57-60	90	92	50		0,50	
b1scn040x07m	SCN40	40x7	53-56	85	87	50	4xM6x20	0,50	
b1scn040x10m		40x10	58-61	92	94	50		0,52	
b1scn050x08m ¹	SCN50	50x8	64-67	103	106	57	4xM8x25	0,71	
b1scn050x10m		50x10	69-71	107	110	57		0,81	
b1scn065x07m ¹	SCN65	65x7	78-82	118	121	75	4xM8x25	1,20	
b1scn065x10m		65x10	84-87	124	126	75		1,30	
b1scn075x08m ¹	SCN75	75x8	89-93	131	133	77	4xM8x25	1,25	
b1scn075x10m		75x10	94-97	138	140	77		1,40	
b1scn075x12m		75x12	98-101	141	142	77		1,85	
b1scn080x08m	SCN80	80x8	94-97	138	140	77	4xM8x25	1,40	
b1scn080x10m		80x10	99-102	148	150	77		1,80	
b1scn100x08m ¹	SCN100	100x8	114-119	164	167	120	4xM10x40	3,40	
b1scn100x10m		100x10	118-122	185	187	120		5,60	
b1scn100x12m		100x12	122-126	185	187	120		5,00	
b1scn100x14m		100x14	126-130	185	187	120		4,80	
b1scn100x16m		100x16	130-134	185	187	120		3,75	
b1scn125x10m	SCN125	125x10	143-148	190	192	145	6xM12x50	8,20	
b1scn125x13m		125x13	149-154	211	214	145		7,25	
b1scn125x15m		125x15	153-158	218	224	145		8,10	

¹ gefertigt nach DIN EN 14420