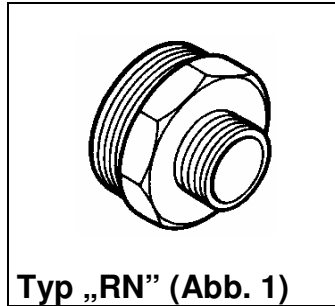
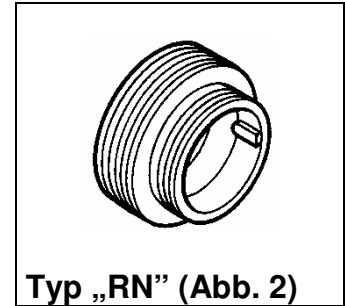


Reduziernippel

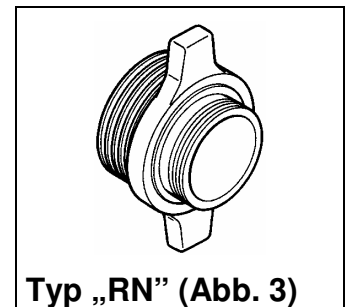
Messing



Typ „RN“ (Abb. 1)



Typ „RN“ (Abb. 2)



Typ „RN“ (Abb. 3)

- Norm (Gewinde) : G = DIN ISO 228/BSP, R = DIN 2999
- Material : Messing

Bestell-Nr.	Typ	Gewinde		Dichtform	Material	Gewicht ca - kg -	Abb.	Preis - €/Stück -
		es	as					
a3rn006008fm	RN06/08	G 1/8"	G 1/4"	fld.	Ms		1	
a3rn008010fm	RN08/10	G 1/4"	G 3/8"	fld.	Ms		1	
a3rn008013fm	RN08/13		G 1/2"				1	
a3rn010013fm	RN10/13	G 3/8"	G 1/2"	fld.	Ms		1	
a3rn010019fm	RN10/19		G 3/4"				1	
a1rn013019fm	RN13/19	G 1/2"	G 3/4"	fld.	Ms	0,09	1	
a3rn013025fm	RN13/25		G 1"				1	
a1rn019025fm	RN19/25	G 3/4"	G 1"	fld.	Ms	0,14	1	
a3rn019032fm	RN19/32		G 1 1/4"				1	
a1rn025032fm	RN25/32	G 1"	G 1 1/4"	fld.	Ms	0,22	1	
a1rn025038fm	RN25/38		G 1 1/2"				1	
a1rn025050fm	RN25/50	G 1 1/4"	G 2"	fld.	Ms	0,31	1	
a1rn032038fm	RN32/38		G 1 1/2"				1	
a1rn032050fm	RN32/50	G 1 1/2"	G 2"	fld.	Ms	0,34	1	
a3rn038045fm	RN38/45		G 1 3/4"				1	
a1rn038050fm	RN38/50	G 2"	G 2"	fld.	Ms	0,32	1	
a3rn050060fm	RN50/60		G 2 3/8"				1	
a1rn050063fm	RN50/63	G 2"	G 2 1/2"	fld.	Ms	0,62	1	
a1rn050075fm	RN50/75		G 3"				1	
a1rn050x75fm	RN50/75	G 2 1/2"	G 3"	fld.	Ms	0,49	2	
a1rn063075fm	RN63/75		G 3"				1	
a1rn063x75fm	RN63/75	G 3"	G 3"	fld.	Ms	0,55	2	
a1rn075100fm	RN75/100		G 4"				1	
a1rn075138fm	RN75/138	G 3"	5 1/2" DIN11	fld.	Ms	0,79	2	
a1rn100138fm	RN100/138		5 1/2" DIN11				1	
		G 4"		fld.	Ms	4,45	3	