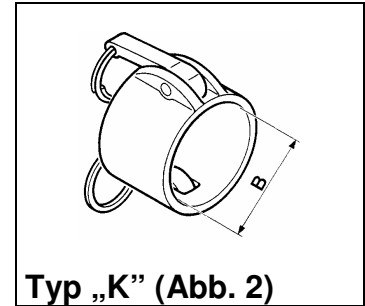
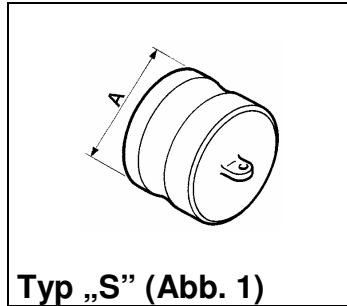


## Hebelarmkupplung

### Blindkupplung

#### Messing



- Norm (Kupplung) : EN ISO 14420-7 vormals DIN 2828, MIL (Military Specifications 27487)
- Material (Standard) : Messing
- Anwendungsbereich : Blindstopfen und Blindkappe
- Ersatzteile : Kupplungsdichtung : Seite 3.4.38
- Zubehör : Kette : Seite 8.1

Bestell-Nr.	Typ-DN	NW		Material Kupplung	Gewicht ca - kg -	Abb.	Preis - €/Stück -
		A - mm -	Kupplung				
ahsxd013xxxm	S-DN13 <sub>DIN</sub>	24,1	1/2"	Ms	0,07	1	
ahsxm013xxxm	S-DN13 <sub>MIL</sub>						
ahsxd020xxxm	S-DN20 <sub>DIN</sub>	32,1	3/4"	Ms	0,12	1	
ahsxm020xxxm	S-DN20 <sub>MIL</sub>						
ahsxd025xxxm	S-DN25 <sub>DIN</sub>	36,7	1"	Ms	0,16	1	
ahsxm025xxxm	S-DN25 <sub>MIL</sub>						
ahsxd032xxxm	S-DN32 <sub>DIN</sub>	45,5	1 1/4"	Ms	0,31	1	
ahsxm032xxxm	S-DN32 <sub>MIL</sub>						
ahsxd040xxxm	S-DN40 <sub>DIN</sub>	53,4	1 1/2"	Ms	0,38	1	
ahsxm040xxxm	S-DN40 <sub>MIL</sub>						
ahsxd050xxxm	S-DN50 <sub>DIN</sub>	63,0	2"	Ms	0,50	1	
ahsxm050xxxm	S-DN50 <sub>MIL</sub>						
ahsxd065xxxm	S-DN65 <sub>DIN</sub>	75,8	2 1/2"	Ms	0,69	1	
ahsxm065xxxm	S-DN65 <sub>MIL</sub>						
ahsxd080xxxm	S-DN80 <sub>DIN</sub>	91,5	3"	Ms	0,96	1	
ahsxm080xxxm	S-DN80 <sub>MIL</sub>						
ahsxd100xxxm	S-DN100 <sub>DIN</sub>	119,5	4"	Ms	1,55	1	
ahsxm100xxxm	S-DN100 <sub>MIL</sub>						
ahsxm125xxxm	S-DN125 <sub>MIL</sub>		5"	Ms		1	
ahsxm150xxxm	S-DN150 <sub>MIL</sub>		6"	Ms		1	

Bestell-Nr.	Typ-DN	NW		Material		Gewicht ca - kg -	Abb.	Preis - €/Stück -
		B - mm -	Kupplung	Kupplung	Dichtung Kupplung			
ahkxd013xxxm	S-DN13 <sub>DIN</sub>	24,5	1/2"	Ms	Pe	0,13	2	
ahkxm013xxxm	S-DN13 <sub>MIL</sub>							
ahkxd020xxxm	S-DN20 <sub>DIN</sub>	32,4	3/4"	Ms	Pe	0,22	2	
ahkxm020xxxm	S-DN20 <sub>MIL</sub>							
ahkxd025xxxm	S-DN25 <sub>DIN</sub>	37,3	1"	Ms	Pe	0,33	2	
ahkxm025xxxm	S-DN25 <sub>MIL</sub>							
ahkxd032xxxm	S-DN32 <sub>DIN</sub>	46,0	1 1/4"	Ms	Pe	0,54	2	
ahkxm032xxxm	S-DN32 <sub>MIL</sub>							
ahkxd040xxxm	S-DN40 <sub>DIN</sub>	54,0	1 1/2"	Ms	Pe	0,70	2	
ahkxm040xxxm	S-DN40 <sub>MIL</sub>							
ahkxd050xxxm	S-DN50 <sub>DIN</sub>	63,8	2"	Ms	Pe	0,88	2	
ahkxm050xxxm	S-DN50 <sub>MIL</sub>							
ahkxd065xxxm	S-DN65 <sub>DIN</sub>	76,5	2 1/2"	Ms	Pe	1,35	2	
ahkxm065xxxm	S-DN65 <sub>MIL</sub>							
ahkxd080xxxm	S-DN80 <sub>DIN</sub>	92,2	3"	Ms	Pe	1,35	2	
ahkxm080xxxm	S-DN80 <sub>MIL</sub>							
ahkxd100xxxm	S-DN100 <sub>DIN</sub>	120,3	4"	Ms	Pe	2,05	2	
ahkxm100xxxm	S-DN100 <sub>MIL</sub>							
ahkxm125xxxm	S-DN125 <sub>MIL</sub>		5"	Ms	Pe		2	
ahkxm150xxxm	S-DN150 <sub>MIL</sub>		6"	Ms	Pe		2	
ahkxm200xxxm	S-DN200 <sub>MIL</sub>		8"	Ms	Pe		2	