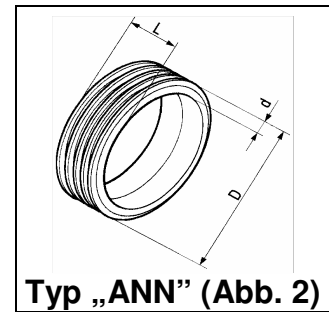
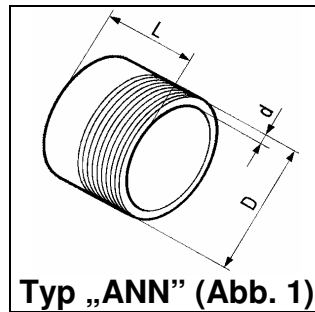


Gewindeverbindung

Nippel mit Anschweißende

Stahl



- Norm (Gewinde) : G = DIN ISO 228/BSP, R = DIN 2999, NPT = ANSI/ASME B1.20.1-83
 Material (Standard) : Stahl

Bestell-Nr.	Typ/DN	NW Gewinde	Dichtform Gewinde	Material Kupplung	Abmessung ¹			Gewicht ca - kg -	Abb.	Preis - €/Stück -
					D	d	L			
a1ann013rxxs	ANN013	R 1/2"	Gew.	St	21,0	4,0	35	0,06	1	
a1ann013nxxs		1/2" NPT						0,06	1	
a1ann019rxxs	ANN019	R 3/4"	Gew.	St	27,0	4,5	35	0,07	1	
a1ann019nxxs		3/4" NPT						0,08	1	
a1ann025gxxs	ANN025	G 1"	fld.	St	33,0	5,0	35	0,12	1	
a1ann025nxxs		1" NPT	Gew.					0,13	1	
a1ann032gxxs	ANN032	G 1 1/4"	fld.	St	42,0	5,0	35	0,14	1	
a1ann032nxxs		1 1/4" NPT	Gew.				45	0,18	1	
a1ann038gxxs	ANN038	G 1 1/2"	fld.	St	48,0	5,0	35	0,18	1	
a1ann038nxxs		1 1/2" NPT	Gew.				45	0,26	1	
a1ann050gxxs	ANN050	G 2"	fld.	St	60,0	6,0	45	0,32	1	
a1ann050nxxs		2" NPT	Gew.					0,33	1	
a1ann063gxxs	ANN063	G 2 1/2"	fld.	St	75,0	6,0	45	0,41	1	
a1ann063nxxs		2 1/2" NPT	Gew.				60	0,46	1	
a1ann075gxxs	ANN075	G 3"	fld.	St	89,0	7,0	45	0,50	1	
a1ann075nxxs		3" NPT	Gew.				60	0,71	1	
a1ann100gxxs	ANN100	G 4"	fld.	St	114,0	7,0	45	0,72	1	
a1ann100nxxs		4" NPT	Gew.				60	0,93	1	
a1ann125gxxs	ANN125	G 5"	fld.	St	140,0	9,0	60	1,20	1	
a1ann125nxxs		5" NPT	Gew.				142,0	7,5	60	1,15
a1ann138wxxs	ANN138	5 1/2" DIN11	fld.	St	140,0	16,0	45	1,60	2	
a1ann150gxxs	ANN150	G 6"	fld.	St	165,0	7,5	60	1,65	1	
a1ann150nxxs		6" NPT	Gew.					168,0	9,0	60

¹andere Längen auf Anfrage