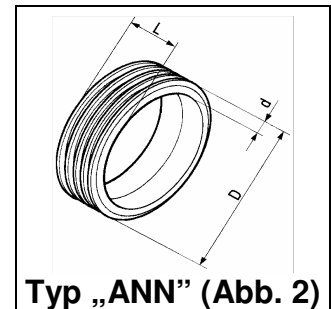
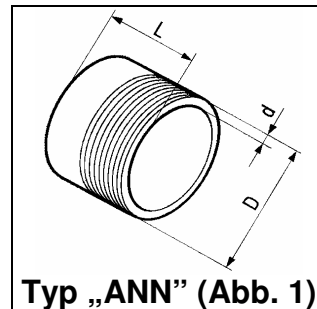


Gewindeverbindung

Nippel mit Anschweißende

Edelstahl



- Norm (Gewinde) : G = DIN ISO 228/BSP, R = DIN 2999
- Material (Standard) : VA = 1.4571

Bestell-Nr.	Typ/DN	NW Gewinde	Dichtform Gewinde	Material Kupplung	Abmessung ¹			Gewicht ca - kg -	Abb.	Preis - €/Stück -
					D	d	L			
a2nn006rxxv	ANN006	R 1/8"	Gew.	VA	10,2	2,0	30	-	1	
a2nn006gxxv		G 1/8"	fld.		10,0	2,0	15	-	1	
a2nn008rxxv	ANN008	R 1/4"	Gew.	VA	13,5	2,4	30	-	1	
a2nn008gxxv		G 1/4"	fld.		12,0	2,0	17	-	1	
a2nn010rxxv	ANN010	R 3/8"	Gew.	VA	17,2	2,4	30	-	1	
a2nn010gxxv		G 3/8"	fld.		14,0	2,0	17	-	1	
a2nn013rxxv	ANN013	R 1/2"	Gew.	VA	21,3	2,7	30	-	1	
a1nn013rxxv		R 1/2"	Gew./fld.		21,0	4,0	35	0,06	1	
a2nn013gxxv		G 1/2"	fld.		20,0	2,5	20	-	1	
a2nn019rxxv	ANN019	R 3/4"	Gew.	VA	26,9	2,7	30	-	1	
a1nn019rxxv		R 3/4"	Gew./fld.		27,0	4,5	35	0,07	1	
a2nn019gxxv		G 3/4"	fld.		25,0	2,5	20	-	1	
a2nn025rxxv	ANN025	R 1"	Gew.	VA	33,7	3,2	40	-	1	
a1nn025gxxv		G 1"	fld.		33,0	5,0	35	0,12	1	
a2nn032rxxv	ANN032	R 1 1/4"	Gew.	VA	42,4	3,2	50	-	1	
a1nn032gxxv		G 1 1/4"	fld.		42,0	5,0	35	0,14	1	
a2nn038rxxv	ANN038	R 1 1/2"	Gew.	VA	48,3	3,2	50	-	1	
a1nn038gxxv		G 1 1/2"	fld.		48,0	5,0	35	0,18	1	
a2nn050rxxv	ANN050	R 2"	Gew.	VA	60,3	3,6	50	-	1	
a1nn050gxxv		G 2"	fld.		60,0	6,0	45	0,32	1	
a2nn063rxxv	ANN063	R 2 1/2"	Gew.	VA	76,1	3,6	60	-	1	
a1nn063gxxv		G 2 1/2"	fld.		75,0	6,0	45	0,41	1	
a2nn075rxxv	ANN075	R 3"	Gew.	VA	88,9	4,0	70	-	1	
a1nn075gxxv		G 3"	fld.		89,0	7,0	45	0,55	1	
a2nn100rxxv	ANN100	R 4"	Gew.	VA	114,3	4,5	80	-	1	
a1nn100gxxv		G 4"	fld.		114,0	7,0	45	0,72	1	
a1nn125rxxv	ANN125	R 5"	Gew.	VA	139,7	4,8	-	-	1	
a1nn138wxxv	ANN138	5 1/2" DIN11	fld.	VA	140,0	20,0	45	2,05	2	
a1nn150rxxv	ANN150	R 6"	Gew.	VA	165,0	4,8	-	-	1	

¹andere Längen auf Anfrage